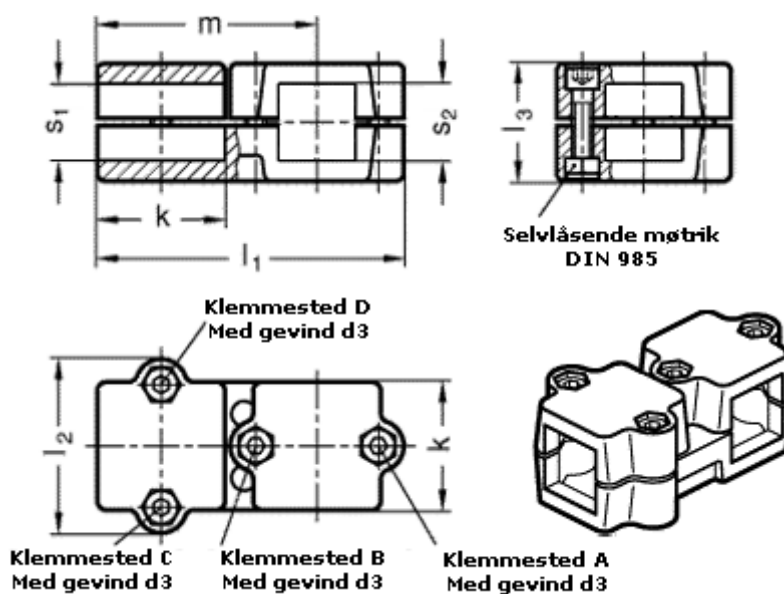


Article number: 20194V50V502SW

Description: E+G

T-angel clamps GN194-V50-V50-2-SW

Measures



d3 = M10

k = 76

l1 = 176

l2 = 98

l3 = 70

m = 126

s1 = 50

s2 = 50